



www.FGWilson.com

P150-1(W)



Image for illustration purposes only.

Output Ratings

Voltage, Frequency	Prime	Standby
380/220V, 50 Hz	135.0 kVA / 108.0 kW	150.0 kVA / 120.0 kW
220/127V, 60 Hz	150.0 kVA / 120.0 kW	165.0 kVA / 132.0 kW

Ratings at 0.8 power factor.

Please refer to the output ratings technical data section for specific generator set outputs per voltage.

Prime Rating

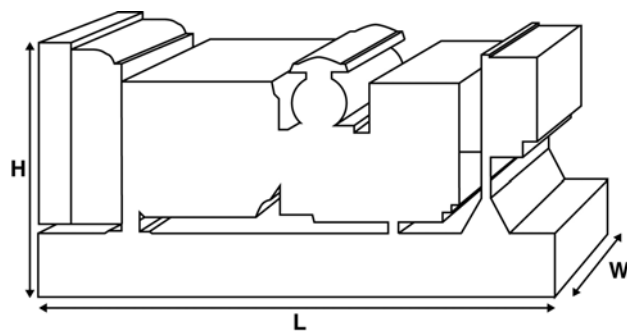
These ratings are applicable for supplying continuous electrical power (at variable load) in lieu of commercially purchased power. There is no limitation to the annual hours of operation and this model can supply 10% overload power for 1 hour in 12 hours.

Standby Rating

These ratings are applicable for supplying continuous electrical power (at variable load) in the event of a utility power failure. No overload is permitted on these ratings. The alternator on this model is peak continuous rated (as defined in ISO 8528-3).

Standard Reference Conditions

Note: Standard reference conditions 25°C (77°F) Air Inlet Temp, 100m (328 ft) A.S.L. 30% relative humidity. Fuel consumption data at full load with diesel fuel with specific gravity of 0.85 and conforming to BS2869: 1998, Class A2.



Ratings and Performance Data

Engine Make & Model:	Perkins® 1006TAG	
Alternator manufactured for FG Wilson by:	WEG	
Alternator Model:	GTA 251AE27	
Control Panel:	DCP-10	
Base Frame:	Heavy Duty Fabricated Steel	
Circuit Breaker Type:	3 Pole MCCB	
Frequency:	50 Hz	60 Hz
Engine Speed: RPM	1500	1800
Fuel Tank Capacity: litres (US gal)	349 (92.2)	
Fuel Consumption: l/hr (US gal/hr) (100% Load)	- Prime	31.1 (8.2) 37.5 (9.9)
	- Standby	34.5 (9.1) 41.0 (10.8)

Available Options

FG Wilson offer a range of optional features to tailor our generating sets to meet your power needs. Options include:

- Upgrade to CE Certification
- A wide range of Sound Attenuated Enclosures
- A variety of generating set control and synchronising panels
- Additional alarms and shutdowns
- A selection of exhaust silencer noise levels

For further information on all of the standard and optional features accompanying this product please contact your local Dealer or visit: www.FGWilson.com

Dimensions and Weights

Length (L) mm (in)	Width (W) mm (in)	Height (H) mm (in)	Dry kg (lb)	Wet kg (lb)
2500 (98.4)	1120 (44.1)	1531 (60.3)	1577 (3476)	1598 (3523)
Dry = With Lube Oil		Wet = With Lube Oil and Coolant		

Ratings in accordance with ISO 8528, ISO 3046, IEC 60034, BS5000 and NEMA MG-1.22. Generating set pictured may include optional accessories.

Engine Technical Data	
No. of Cylinders / Alignment:	6 / In Line
Cycle:	4 Stroke
Bore / Stroke: mm (in)	100.0 (3.9)/127.0 (5.0)
Induction:	Turbocharged Air To Air Charge Cooled
Cooling Method:	Water
Governing Type:	Electronic
Governing Class:	ISO 8528 G2
Compression Ratio:	17.0:1
Displacement: l (cu. in)	6.0 (365.5)
Moment of Inertia: kg m ² (lb/in ²)	1.61 (5502)
Engine Electrical System:	
- Voltage / Ground	12/Negative
- Battery Charger Amps	55
Weight: kg (lb)	
- Dry	586 (1292)
- Wet	630 (1389)

Performance	50 Hz	60 Hz
Engine Speed: rpm	1500	1800
Gross Engine Power: kW (hp)		
- Prime	128.4 (172.0)	144.2 (193.0)
- Standby	141.0 (189.0)	158.5 (213.0)
BMEP: kPa (psi)		
- Prime	1716.0 (248.9)	1606.0 (233.0)
- Standby	1885.0 (273.4)	1766.0 (256.1)

Fuel System				
Fuel Filter Type:	Replaceable Element			
Recommended Fuel:	Class A2 Diesel or BSEN590			
Fuel Consumption: l/hr (US gal/hr)				
	110%	100%	75%	50%
Prime	Load	Load	Load	Load
50 Hz	34.5 (9.1)	31.1 (8.2)	24.0 (6.3)	17.0 (4.5)
60 Hz	41.0 (10.8)	37.5 (9.9)	29.1 (7.7)	20.6 (5.4)
		100%	75%	50%
Standby		Load	Load	Load
50 Hz		34.5 (9.1)	26.3 (6.9)	18.6 (4.9)
60 Hz		41.0 (10.8)	31.6 (8.3)	22.3 (5.9)

(Based on diesel fuel with a specific gravity of 0.85 and conforming to BS2869, Class A2)

Air Systems	50 Hz	60 Hz
Air Filter Type:	Replaceable Element	
Combustion Air Flow: m ³ /min (cfm)		
- Prime	8.4 (296)	10.7 (379)
- Standby	8.8 (310)	11.2 (394)
Max. Combustion Air Intake Restriction: kPa (in H ₂ O)	5.0 (20.1)	5.0 (20.1)

Cooling System	50 Hz	60 Hz
Cooling System Capacity: l (US gal)	21.0 (5.5)	21.0 (5.5)
Water Pump Type:	Centrifugal	
Heat Rejected to Water & Lube Oil:		
kW (Btu/min)		
- Prime	65.5 (3725)	68.0 (3867)
- Standby	70.0 (3981)	76.7 (4362)
Heat Radiation to Room: Heat radiated from engine and alternator		
kW (Btu/min)		
- Prime	26.3 (1496)	30.6 (1740)
- Standby	39.3 (2235)	47.9 (2724)
Radiator Fan Load: kW (hp)	4.5 (6.0)	8.0 (10.7)
Radiator Cooling Airflow: m ³ /min (cfm)	231.0 (8158)	283.8 (10022)
External Restriction to Cooling Airflow: Pa (in H ₂ O)	125 (0.5)	125 (0.5)

Designed to operate in ambient conditions up to 50°C (122°F).
Contact your local FG Wilson Dealer for power ratings at specific site conditions.

Lubrication System	
Oil Filter Type:	Spin-On, Full Flow
Total Oil Capacity: l (US gal)	19.0 (5.0)
Oil Pan: l (US gal)	16.0 (4.2)
Oil Type:	API CD 15W-40
Oil Cooling Method:	Water

Exhaust System	50 Hz	60 Hz
Maximum Allowable Back Pressure: kPa (in Hg)	6.0 (1.8)	6.0 (1.8)
Exhaust Gas Flow: m ³ /min (cfm)		
- Prime	24.1 (852)	29.8 (1051)
- Standby	25.7 (908)	31.4 (1109)
Exhaust Gas Temperature: °C (°F)		
- Prime	584 (1083)	551 (1024)
- Standby	584 (1083)	551 (1024)

Alternator Physical Data	
Manufactured for FG Wilson by:	WEG
Model:	GTA 251AE27
No. of Bearings:	1
Insulation Class:	H
Winding Pitch Code:	2/3 - N/A
Wires:	12
Ingress Protection Rating:	IP21
Excitation System:	AUX COIL
AVR Model:	GRT7-TH4E

Alternator Operating Data	
Overspeed: rpm	2250
Voltage Regulation: (Steady state)	+/- 0.5%
Wave Form NEMA = TIF:	50
Wave Form IEC = THF:	2.0%
Total Harmonic content LL/LN:	5.0%
Radio Interference:	Suppression is in line with European Standard ISO 8528-3
Radiant Heat: kW (Btu/min)	
- 50 Hz	13.6 (773)
- 60 Hz	14.3 (813)

Alternator Performance Data:	50 Hz		60 Hz		
	380/220V		220/110V	208/120V	220/127V
Motor Starting Capability* kVA	399		314	385	439
Short Circuit Capacity %	300		300	300	300
Reactances: Per Unit					
Xd	2.83		4.21	3.38	2.91
X'd	0.16		0.21	0.17	0.16
X''d	0.102		0.125	0.104	0.094

Reactances shown are applicable to prime ratings.
 *Based on 30% voltage dip at 0.6 power factor and AUX COIL excitation.

Output Ratings Technical Data 50 Hz				
Voltage	Prime:		Standby:	
	kVA	kW	kVA	kW
380/220V	135.0	108.0	150.0	120.0

Output Ratings Technical Data 60 Hz				
Voltage	Prime:		Standby:	
	kVA	kW	kVA	kW
220/127V	150.0	120.0	165.0	132.0
220/110V	150.0	120.0	165.0	132.0
208/120V	150.0	120.0	165.0	132.0

Documentation

A full set of operation and maintenance manuals and circuit wiring diagrams.

Generating Set Standards

The equipment meets the following standards: BS5000, ISO 8528, ISO 3046, IEC 60034, NEMA MG-1.22.

FG Wilson is a fully accredited ISO 9001 company.

Warranty

All prime equipment carries a one year manufacturer's warranty. Standby equipment, limited to 500 running hours per year, has a two year manufacturer's warranty. For details on warranty cover please contact your local Dealer, or visit our website: FGWilson.com.

Dealer contact details:



FG Wilson manufactures product in the following locations:

Northern Ireland • Brazil • China • India • USA

With headquarters in Northern Ireland, FG Wilson operates through a Global Dealer Network. To contact your local Sales Office please visit the FG Wilson website at www.FGWilson.com.

FG Wilson is a trading name of Caterpillar (NI) Limited

In line with our policy of continuous product development, we reserve the right to change specification without notice.